

# *Wizards* of **NOS**

## Minimax Progressive Controller

---

### Owner's Manual



U.K. 44 (0) 01302 834343

[www.noswizard.com](http://www.noswizard.com) • [www.wizardsofnos.com](http://www.wizardsofnos.com)

## Introduction

Congratulations on purchasing the Minimax for the best in entry level nitrous controlling. By following the instructions outlined you will ensure safe and reliable nitrous performance. If for any reason you have questions please use our message board, contact your nearest dealer, or contact us direct for assistance.

**Note:** Mount the Minimax as close as possible to the solenoids. If you need to extend the wires use a grade of wire that is the same as the original wiring harness coming of the unit. Using a smaller grade of wire can damage the unit and this holds especially true to the black and blue wires. Also connecting any wires wrong can damage the Minimax. Either of the solenoid wires can be connected to an earth or the Minimax unit.

### Initial set-up:

- 1)** Switch the arming switch **on** and the unit should display [ ]
- 2)** Set the rise time to a desired level. We recommend a soft setting (minimum 3 seconds) for initial testing.
- 3)** Set the start power to a desired level. We recommend a soft setting (30%) for initial testing.
- 4)** Choose to set the reset to **on** or **off**.
- 5)** Make sure the screen is back to showing [ ]. The system is now ready to be used.
- 6)** Open the throttle to wide open, at which time the display bars will pulse in sync with the solenoids.

## **Tips and explanations:**

To get started press the left button once after turning the arming switch **on**. The screen will display **E1** (briefly), then it will change to a number between **30** and **60**. **E1** is the code for start power and the number that follows is the start power percentage. To change the setting press the right button to step up through the range to the level that you desire. If you have to high of a start power then keep pressing the right button until the unit starts back to 30. Once you have your chosen start power percentage, press the left button once and the screen will display **E2** (briefly), then it will change to a number between **2.0** and **9.9**. **E2** is the code for the build up time. The number that follows is the 'actual' time. To change the setting press the right button to step up (only) through the range to the level that you desire. If you have to high of a build time then keep pressing the right button until the unit starts back to 2.0.

## **Reset feature:**

The **reset** option is to let the Minimax reset to the start power after each throttle de-activation. If you choose not to reset after each throttle de-activation then turn to **off**. Useful for manual transmissions that have traction issues in multiple gears.

**HD** (hold) will appear for 2 reasons.

**1)** You let off the throttle before the unit reached 100% and the **reset** option was turned **off**.

**2)** You let off the throttle once at 100% and therefore the unit will 'hold' 100% power once back on the throttle. The unit will hold 100% for 20 seconds after the throttle is de-activated, then is will reset automatically to the start power.

**Note:** The Minimax does not need to be set-up each time the unit is powered up. The previous settings will always remain until changed manually.

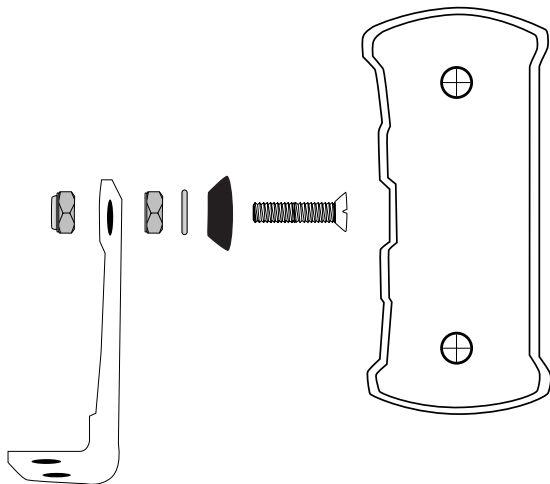
## Mounting Instructions

The Minimax unit has a slot on the back of the case which can be used in conjunction with the hardware provided to mount the Maximiser however you feel appropriate. The mounting bracket can also be bent to provide additional mounting options.

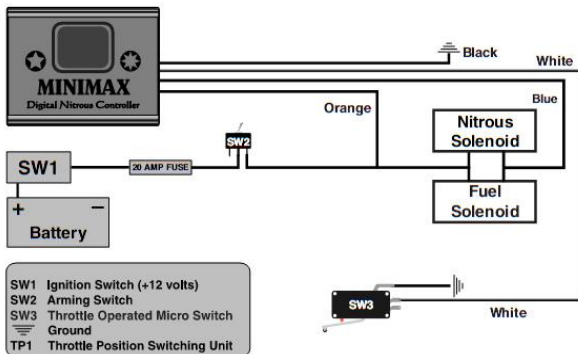
Slide the flat head screw shown into the groove on the back of the Maximiser. Then screw down the bracket to your chosen surface.

### Dimensions:

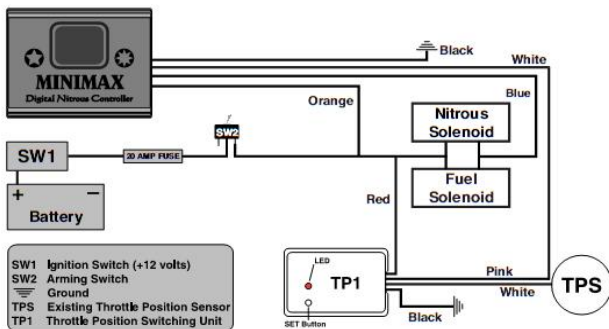
3.625"L x 2.75"H x 1.25"D



## Micro Switch Diagram



## TPS Diagram



## Highpower Systems International Ltd.

Rands Lane, Armthorpe Doncaster  
South Yorkshire, England  
DN3 3ER, UK.  
44 (0) 01302 834343  
www.noswizard.com