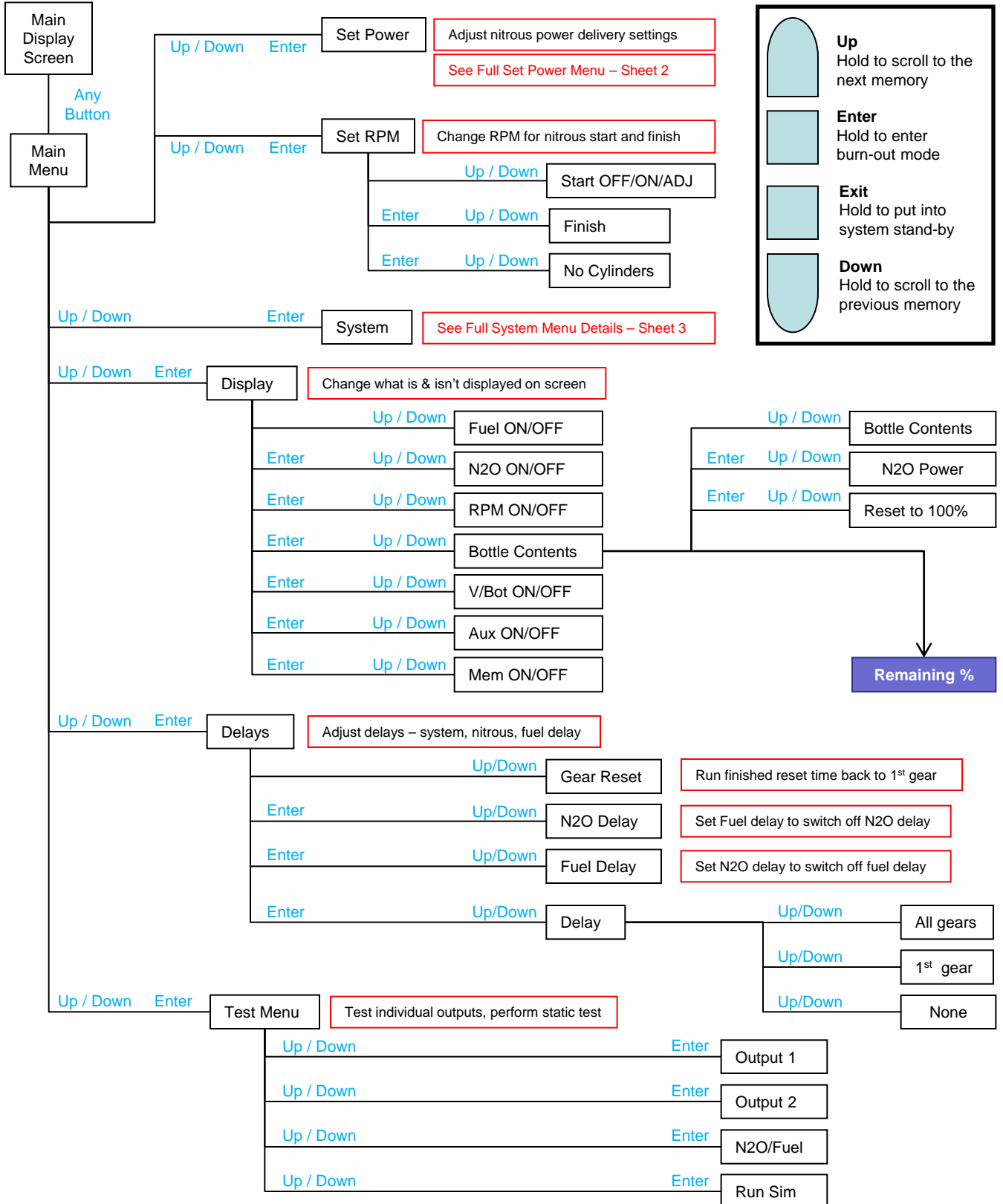


# Main Menu



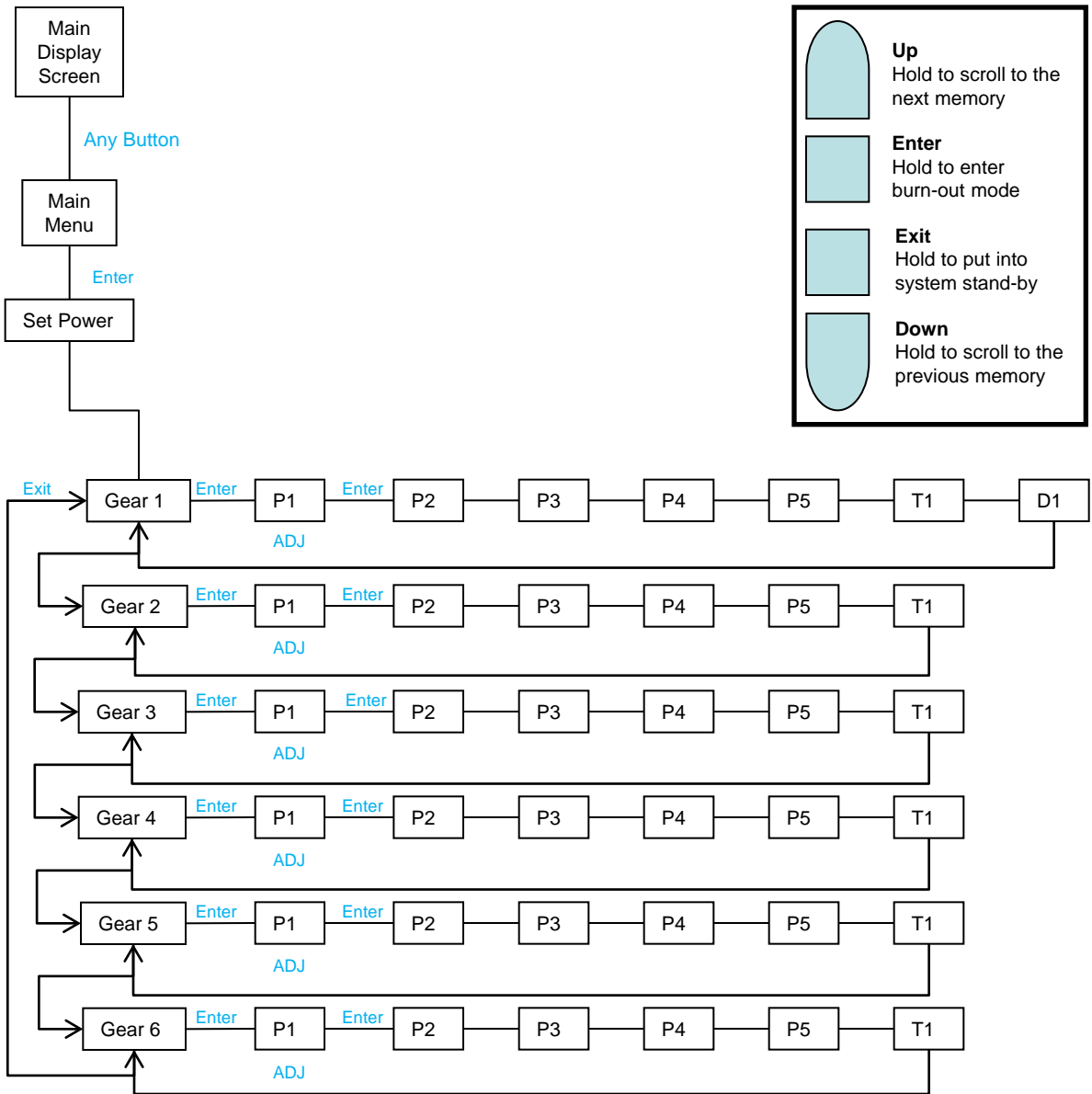
**Up**  
Hold to scroll to the next memory

**Enter**  
Hold to enter burn-out mode

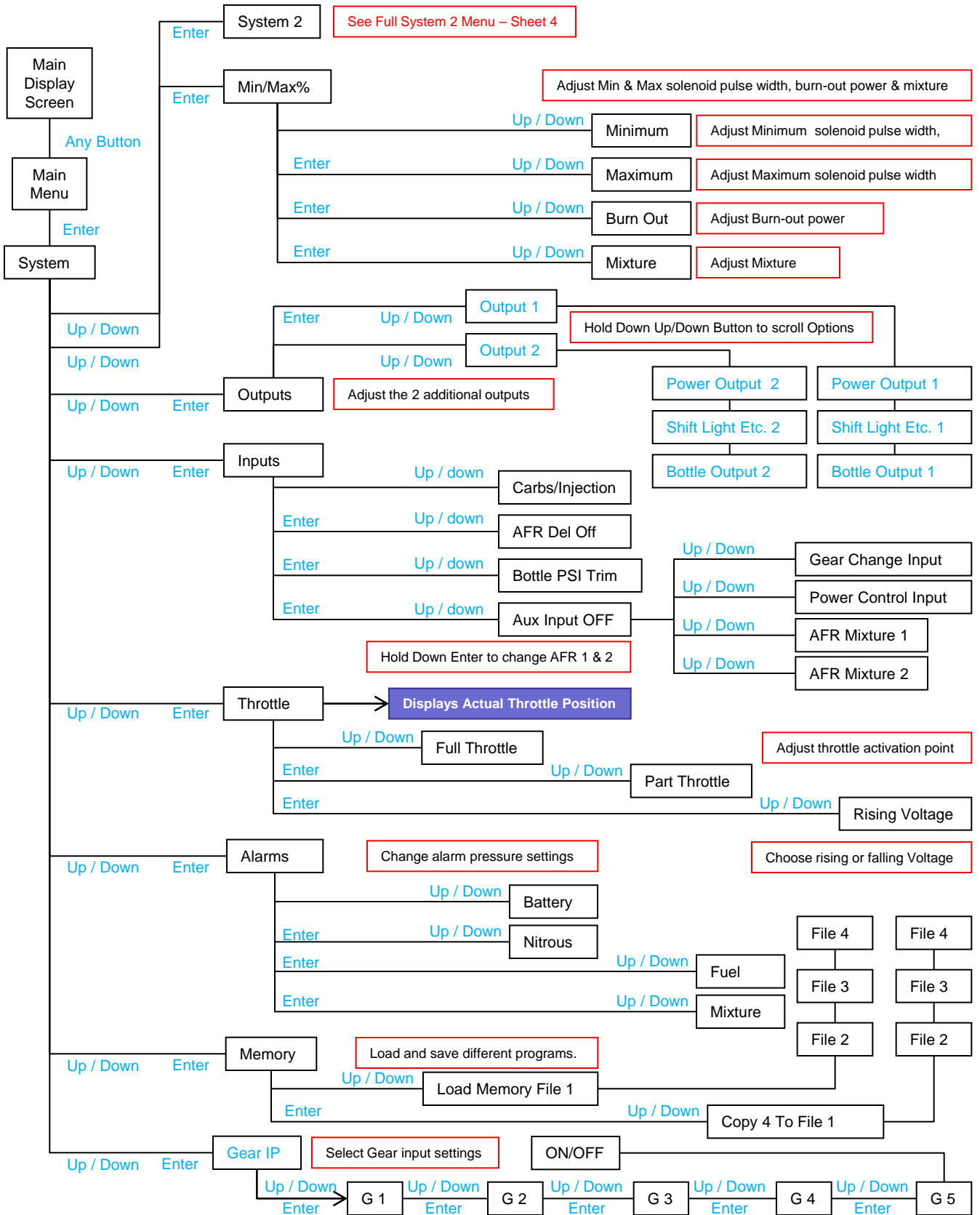
**Exit**  
Hold to put into system stand-by

**Down**  
Hold to scroll to the previous memory

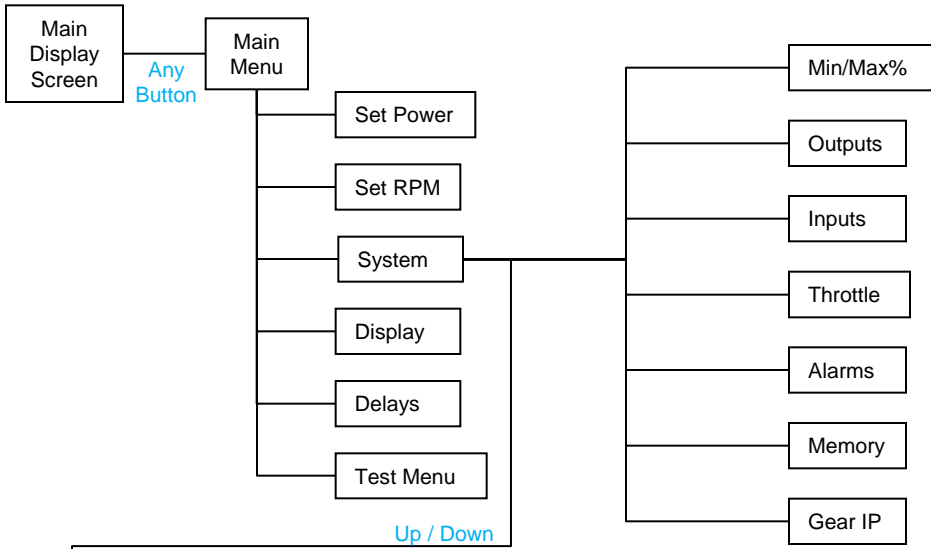
# Power Adjustment Menu



# System Menu



# System 2 Menu

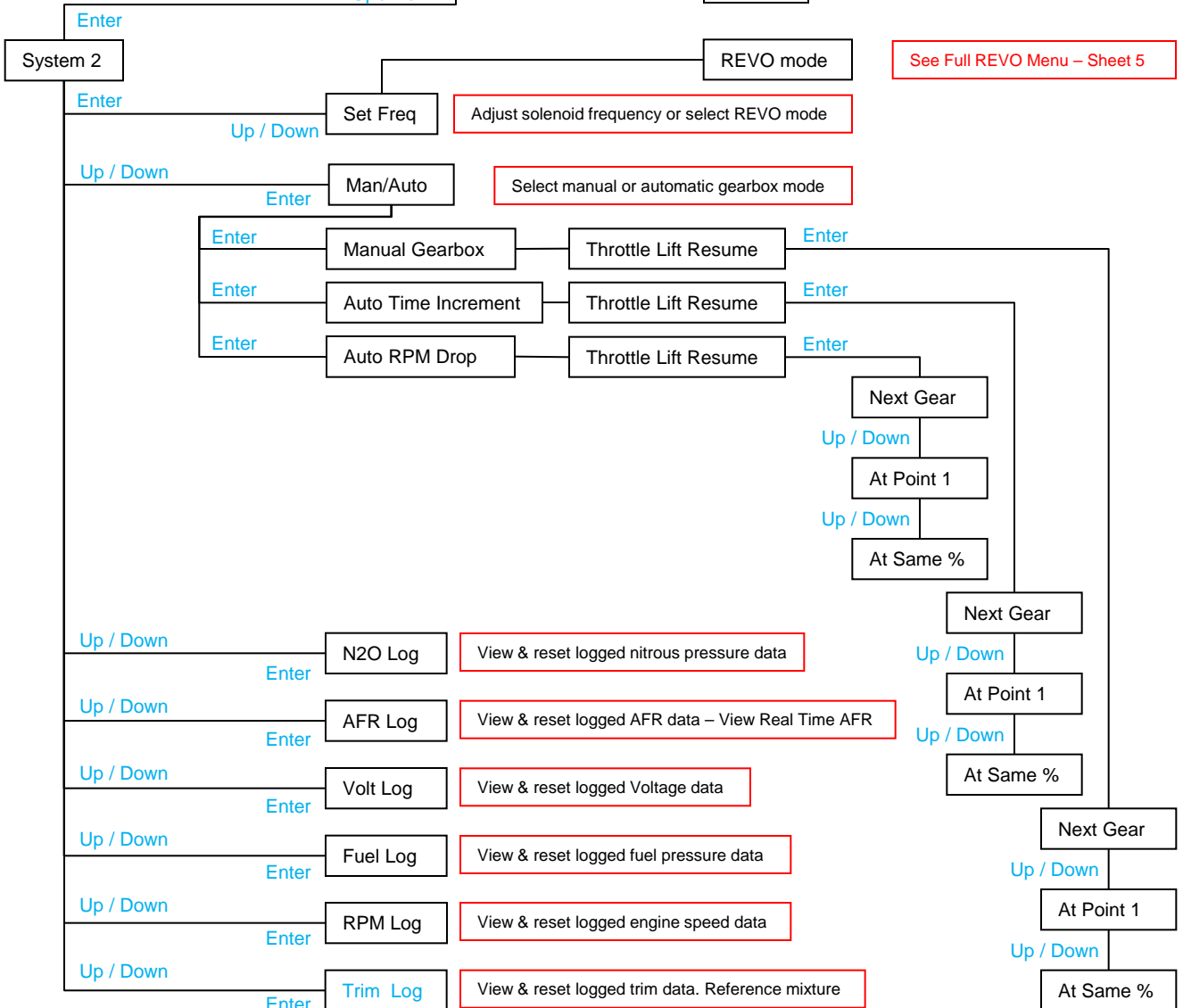


**Up**  
Hold to scroll to the next memory

**Enter**  
Hold to enter burn-out mode

**Exit**  
Hold to put into system stand-by

**Down**  
Hold to scroll to the previous memory



# REVO Menu

